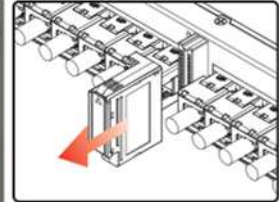
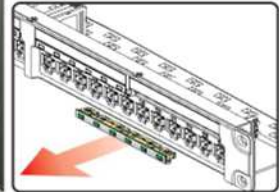


<Figure 1>



<Figure 2>



<Figure 3>

## Product Features & Functions

1. Follows ANSI/TIA/EIA-606-A.CLASS 4 application
2. Copper version uses regular RJ-45 patch cords <Figure 1> (CAT 5e 、 CAT 6 、 CAT 6A), Fiber version uses regular LC or SC cords.
3. Easy structured cabling planning, Cross-connection guide and management: With customizable software and the LED indicator, cabling management becomes an easy task.
4. Panel system connection monitor and real time alert: Any unauthorized activity will cause a real time alert message.
5. Easy to install and replace: The system structure is simple and MCU Modules <Figure 2> and LED modules <Figure 3> are replaceable without affecting the installed system.
6. Multiple colors of LED indicator: Two different colors of LEDs modules enable users to select (Red / Green) <Figure 3>
7. Fiber solution available:  
 Fiber LC-MPO Cassette Panel <Figure 4>, SC-MPO Cassette Panel <Figure 5>
8. LC-MPO & SC-MPO cassettes enable users to apply on the same panel.
9. Automatic create WorkArea database from AutoCAD file.
10. Webpage Supervised and Remote Control the system via Internet.



<Figure 4>



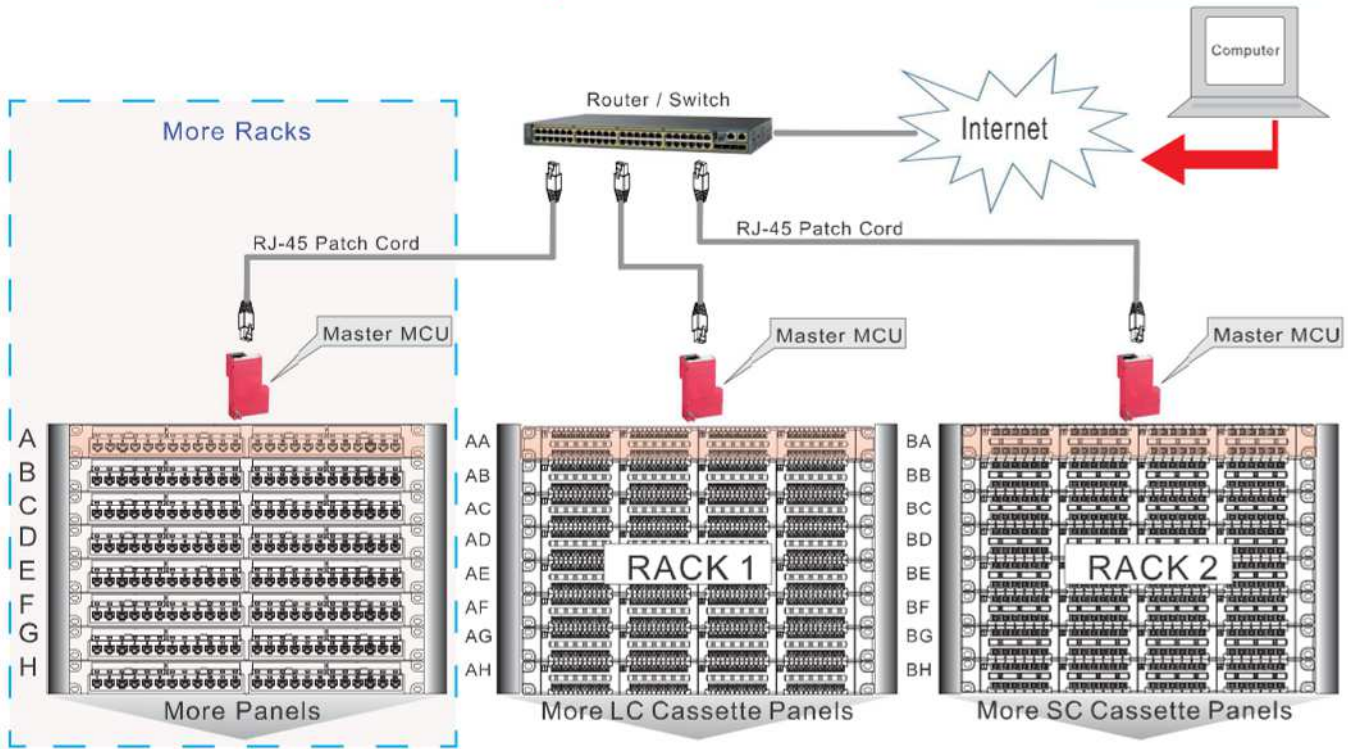
<Figure 5>

The EZNEXT System enables IT staff to set up information for the cabling such as the planning of Telecommunication Spaces and Rack systems, and the management of cabling equipment, work area and Channel.

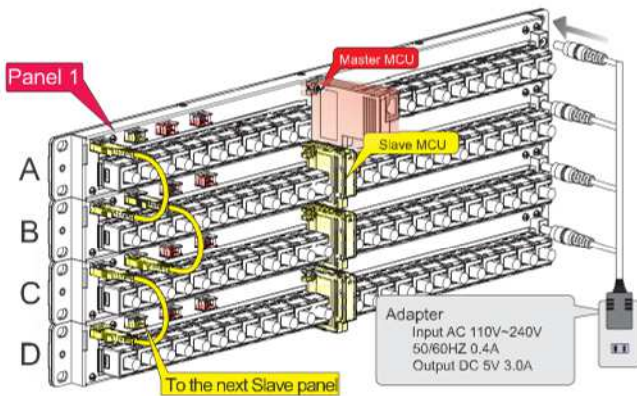
Installers will save more time to install or replace panels and modules. The revolutionary replaceable LED and MCU modules allow the owner to replace modules without unloading other structured cabling components. The simplicity of the system design enables users to save costs in training, cabling management and maintenance.

# System structure

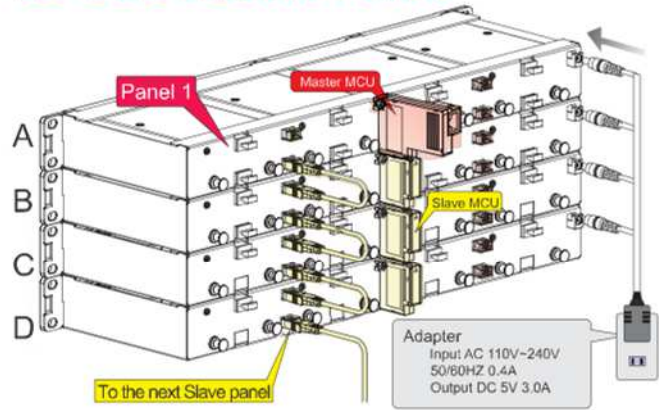
Patent Granted



## Copper Patch Panels



## LC & SC Cassette Panels



The EZNEXT system supports both Fiber & Copper solutions

## Product Spec

- Each IP address it controls each Master MCU
- Each Master MCU can control 19 Slave MCU
- Supports Class of Administration: TIA/EIA-606-A, Class4
- Power supply: A 5V/3A DC adapter can support one rack panels
- Fiber LC-MPO Cassette Panel: 1U 48-Channel (96-fiber)  
Fiber SC-MPO Cassette Panel: 1U 24-Channel (48-fiber)  
Copper Patch Panel: 1U 24-Port

### Power Usage

Default Mode	Power Consumption	Annual total Power Consumption
Mute	0.005 W/Panel	0.05 KW.h/Panel
Running	0.1 W/Panel	0.9 KW.h/Panel
Light	0.135 W/Panel	1.2 KW.h/Panel