

# 24-Port LC FIBER CASSETTE

## 2012CD-PSC12G

2012CD-PSC12G

### APPLICATION

- For EZNEXT fiber solutions
- Compatible with SURTEC's EZNEXT cassette panel (1U 48-port)



### FEATURES

- 12-port SC fiber cassette
- Compatible with ANSI/TIA-568-C.3 standard
- Cassette designed for easy and quick installation
- Green LED indicators

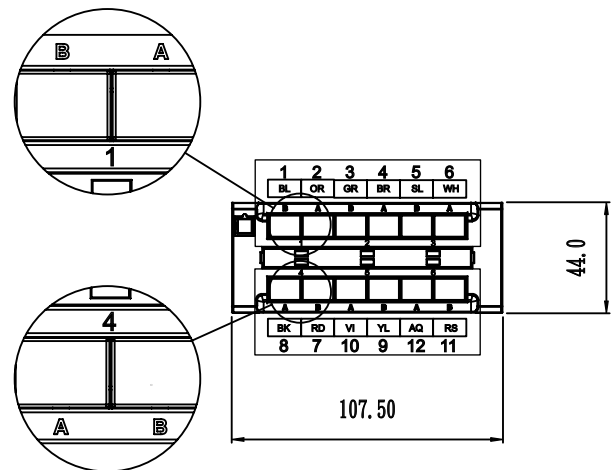
### STANDARDS

- ISO/IEC 11801
- ANSI/TIA-568-C.3

### PHYSICAL SPECIFICATIONS

- Dimensions:  
107.5mm(W) x 44.0mm(D)
- Materials:  
Housing : ABS plastic

### Mechanical Drawing



### SURTEC INDUSTRIES INC.

No.9, Kon Jan North Road, Liutu Industrial Zone, Keelung City, Taiwan

Tel:+886-2-2451-8888

Fax:+886-2-2452-1111

E-mail:surtec@surtec.com.tw

Web:www.surtec.com.tw

COPYRIGHT©2014 SURTEC INDUSTRIES INC. ALL RIGHT RESERVED. SUBJECT TO CHANGE WITHOUT NOTICE.