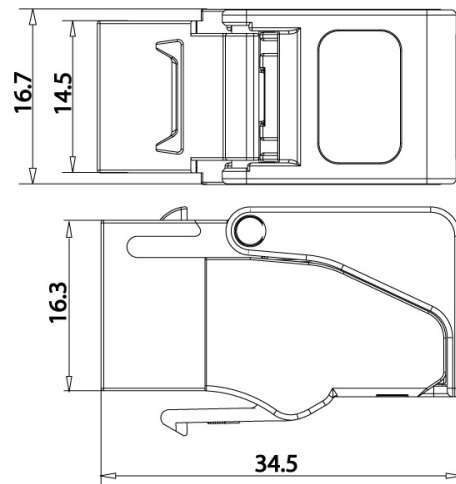


SURTEC's 2013C-TMH CAT 6 UTP 90° tool-less keystone jack is a practical utility module. Without the punchdown tools, the new cap and clamp design enables installers to terminate easily in inconvenient fields. This efficient design brings the simplified procedure, labor cost and preparation time reduction, along with high speed transmission performance.

Features :

- 1. CAT 6 UTP 90° tool-less keystone jack**
- 2. UL 1863 Safety Listed**
- 3. Compatible with CAT 6 component performance (ANSI/TIA-568.2-D)**
- 4. Customized colors available**

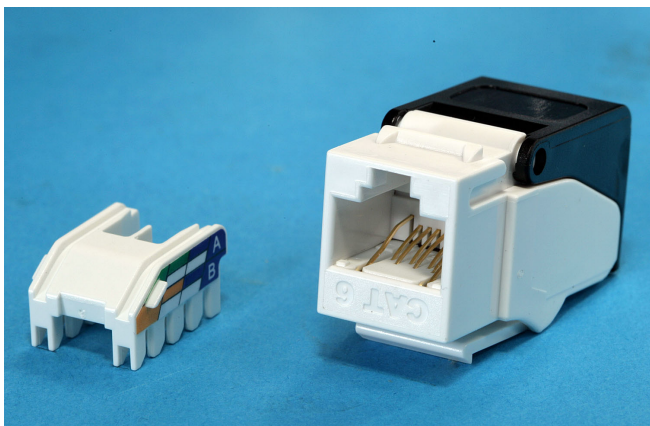


Applications :

- 1. For Ethernet CAT 6 UTP Solutions**
- 2. Compatible with SURTEC Faceplates**
- 3. Compatible with SURTEC Snap-in Patch Panels**
- 4. Compatible with SURTEC Surface Mount Boxes**

ANSI/TIA-568.2-D Component Performance Requirements

CAT 6	Bandwidth	NEXT	FEXT	Attenuation	Return Loss
2013C-TMH	(dB) at 250MHZ	>46	>35.1	<0.32	>16



2013C-TMH

CAT 6 UTP 90° tool-less keystone jack

****CAT 5e UTP 180° jack are available**

Ordering Information

Item(s) / Polybag	Items/Inner box	Items/Outer box
1	75	300
Color	Customized colors available	