

1056 Connection Box 1056-CMAF

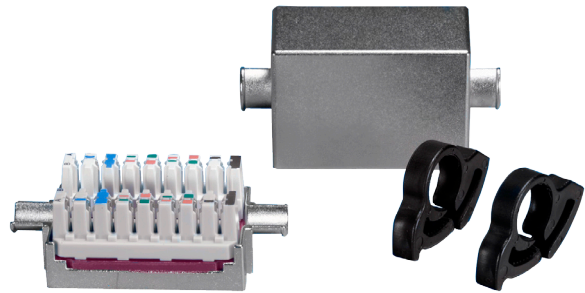
1056-CMAF

APPLICATION

- For CAT 6A FTP channel solutions

FEATURES

- CAT 6A FTP 4-Pair connection box
- Compatible with CAT 6A channel performance (ANSI/TIA-568.2-D)
- Fully shielded type
- Dual IDC compatible with both 110 & Krone tools
- Includes 2 housing clamps
- Great for splicing cables



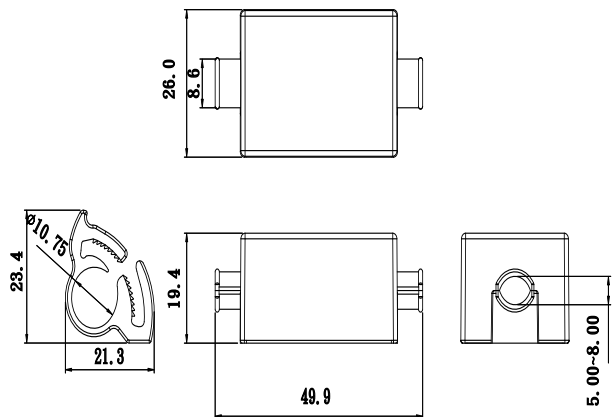
STANDARDS

- UL 1863 safety listed
- UL 94V-0 flammability standard

PHYSICAL SPECIFICATIONS

- Dimensions:
19.4mm(W) x 26.0mm(H) x 49.9mm(D)
- Materials:
Zinc Alloy

Mechanical Drawing



SURTEC INDUSTRIES INC.

No.9, Kon Jan North Road, Liutu Industrial Zone, Keelung City, Taiwan

Tel:+886-2-2451-8888

Fax:+886-2-2452-1111

E-mail:surtec@surtec.com.tw

Web:www.surtec.com.tw

COPYRIGHT©2016 SURTEC INDUSTRIES INC. ALL RIGHT RESERVED. SUBJECT TO CHANGE WITHOUT NOTICE.