

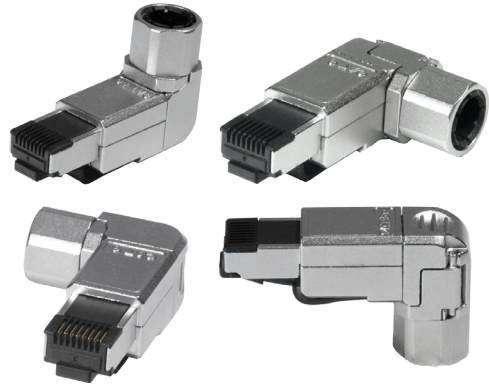
## CAT 6 WENS PLUG

1001BA-I6

1001BA-I6

### APPLICATION

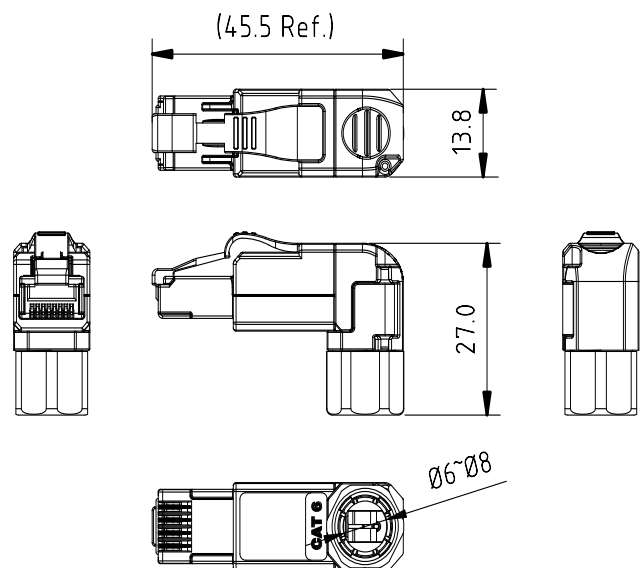
- For ethernet CAT 6 FTP solutions
- Provides either T568A or T568B wiring configuration
- Available in CAT 5e, CAT 6A and CAT 6A performance levels
- Compatible with cable dimensions from 22-26AWG



### FEATURES

- CAT 6 FTP WENS plug
- Assemble in 4 positions
- Compatible with CAT 6 component performance
- Fully shielded and fully metal housing guarantee secure and reliable transmission performance
- A fast and reliable termination helps save labor costs and installation time

### Mechanical Drawing



### STANDARDS

- UL 1863 safety listed
- ANSI/TIA-568.2-D

### PHYSICAL SPECIFICATIONS

- Materials:  
Housing : Zinc-alloy fully shielded



### SURTEC INDUSTRIES INC.

No.9, Kon Jan North Road, Liutu Industrial Zone, Keelung City, Taiwan

Tel:+886-2-2451-8888

Fax:+886-2-2452-1111

E-mail:surtec@surtec.com.tw

Web:www.surtec.com.tw