

CAT 6A FTP ANGLED WALL PLATE

2051-DAMAH121F

2051-DAMAH121F

APPLICATION

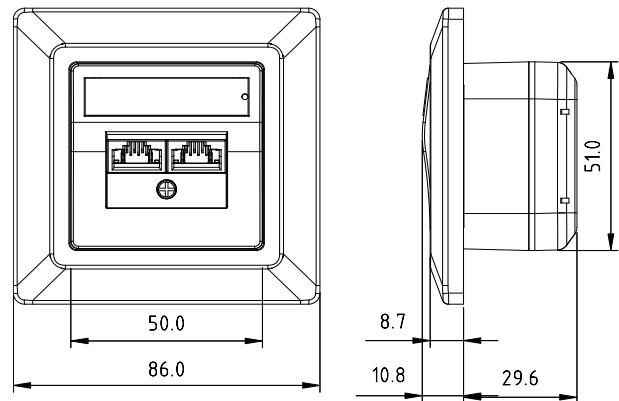
- For ethernet CAT 6A FTP solutions
- 50x50mm angled outlet module with outside dimensions of 86x86mm
- Available with outside dimensions of 86x86mm, 84x84mm and 80x80mm



FEATURES

- Cat 6A FTP 2-ports angled wall plate
- Compatible with Cat 6A component performance (ISO/IEC 11801)
- Labelling window for easy management and port identification
- The module is available in 1-Port and 2-Ports

Mechanical Drawing



STANDARDS

- UL 1863 safety listed
- ISO/IEC 11801
- ANSI/TIA-568.2-D
- UL 94V-0 flammability standard

PHYSICAL SPECIFICATIONS

- Dimensions:
86.0mm(W) x 86.0mm(H) x 10.8mm(D)
- Materials:
Wall plate : ABS Plastic
Module Housing : Zinc-alloy fully shielded



SURTEC INDUSTRIES INC.

No.9, Kon Jan North Road, Liutu Industrial Zone, Keelung City, Taiwan

Tel:+886-2-2451-8888

Fax:+886-2-2452-1111

E-mail:surtec@surtec.com.tw

Web:www.surtec.com.tw

COPYRIGHT©2018 SURTEC INDUSTRIES INC. ALL RIGHT RESERVED. SUBJECT TO CHANGE WITHOUT NOTICE.