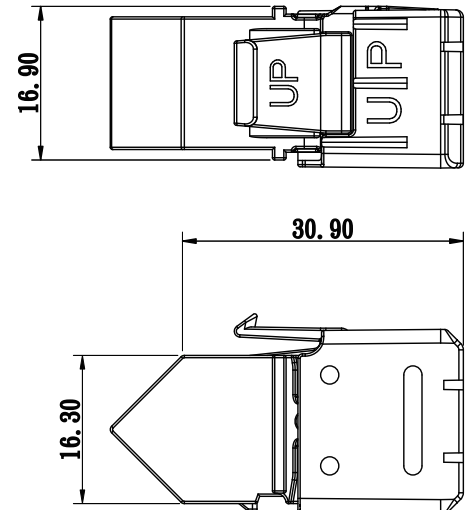


SURTEC 2013FA-FMAH1 CAT 6A UTP 180° angled quick jack is specially designed for efficient data center application. With angled front opening design, the patch cords can be easily managed with no extra horizontal cable management needed. Compatible with SURTEC F Tool, the installation time is also efficiently saved. With all advantages mentioned, SURTEC 2013FA-FMAH1 is definitely your choice of High Speed Data Center Network.

Features :

1. CAT 6A UTP 180° angled quick jack
2. UL 1863 safety listed
3. Compatible with CAT 6A component performance (ISO/IEC 11801)
4. Compatible with SURTEC F tool

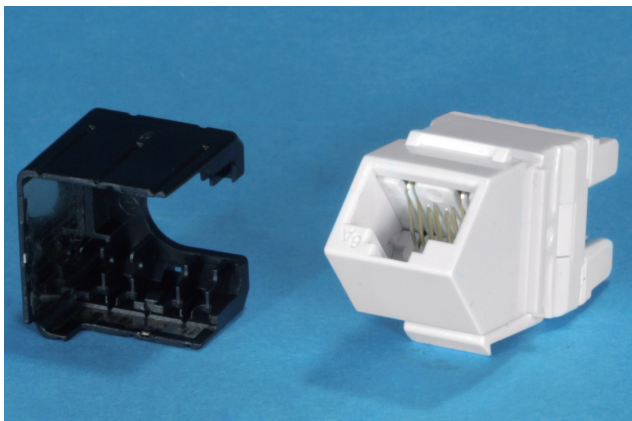


Applications :

1. For Ethernet CAT 6A UTP solutions
2. Compatible with SURTEC UTP angled snap-in patch panel (SURTEC P/N:2012KA-XX)

ISO/IEC 11801 Component Performance Requirements

CAT 6A	Bandwidth	NEXT	FEXT	Attenuation	Return Loss
2013FA-FMAH1	(dB) at 500MHz	>37	>29.1	<0.45	>14



2013FA-FMAH1

CAT 6A UTP 180° angled quick jack

**CAT 6 angled quick jack available

Ordering Information

Item(s) / Polybag	Items/Inner box	Items/Outer box
1	70	280
Color	Customized colors available	