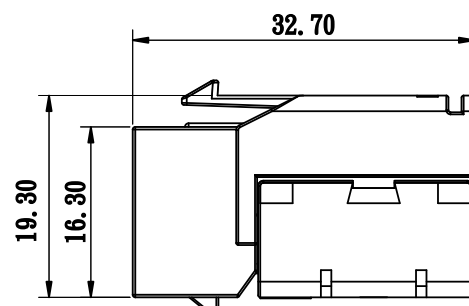
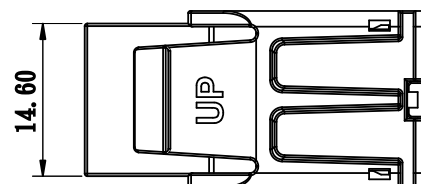


SURTEC 2013C-NEMAHI CAT 6A UTP 90° quick jack with CAT 6A component performance. The jack is compatible with SURTEC NE tool to provide a revolutionary solution with fast, easy and accurate termination.

Features :

1. CAT 6A UTP 90° quick jack
2. Compatible with CAT 6A component performance (ISO/IEC 11801)
3. UL 1863 safety listed
4. Compatible with SURTEC NE tool

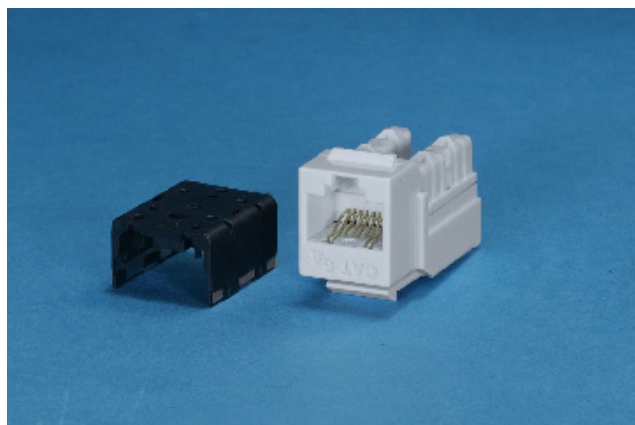


Applications :

1. For Ethernet CAT 6A UTP solutions
2. Compatible with SURTEC faceplates
3. Compatible with SURTEC snap-in patch panels
4. Compatible with SURTEC surface mount boxes

ISO/IEC 11801 Component Performance Requirements

| CAT 6A | Bandwidth | NEXT | FEXT | Insertion Loss | Return Loss |
|--------------|----------------|------|-------|----------------|-------------|
| 2013C-NEMAHI | (dB) at 500MHZ | >37 | >29.1 | <0.45 | >14 |



2013C-NEMAHI

CAT 6A UTP 90° quick

****CAT 5E and CAT 6 quick jack available**

Ordering Information

| Item(s) / Polybag | Items/Inner box | Items/Outer box |
|-------------------|-----------------------------|-----------------|
| 1 | 100 | 400 |
| Color | Customized colors available | |